

HOME DATA SHEET

Home BA MMT



Billi®

Billi Home BA with Gooseneck Multifunction Mixer Tap

Instant boiling and still water, the Billi Home BA offers exceptional home convenience and is ideal for making hot drinks and reducing food preparation time with instant boiling water.

The Good Design Award Winning Multifunction Mixer tap complements the space saving and multifunctional approach of Billi's Home Range of products perfectly, negating the requirement for an additional domestic supply mixer tap while providing a sleek solution to dispensing filtered water.

Supplied standard with 994052 sub-micron filtration from BWT to deliver the freshest tasting water and ensure the health of your family & guests.



Multifunction Mixer Tap



Home BA Under-Bench Unit



Features



UNLIMITED
FILTERED
WATER



SPACE SAVING
DESIGN



AUSTRALIAN
DESIGNED &
MADE



ENERGY
EFFICIENT



SAFE TO
OPERATE



AWARD
WINNING
DESIGN



CHOICE OF
DISPENSER
DESIGNS

PRODUCT SPECIFICATIONS

Water type	Product code	Model name	Dispenser	Power supply (amps)	Suggested usage
BOILING STILL FILTERED	914000G	Home BA	Multifunction Mixer Tap	10	<ul style="list-style-type: none"> • Drinking water filtration • Cooking & Food preparation • Instant Hot beverages • Sterilisation of baby bottles

* Based on a set volume of water being drawn every 30 seconds at an inlet temperature of average 21°C. Each cup equivalent to 170ml. Usage patterns and draw-off methods can impact recovery.

Accessories

990720 - Tubing Extension Kit for X series dual temp dispensers 2mtrs

Finishes

Standard Finishes

CH - Chrome	BR - Brushed
MB - Matte Black	MW - Matte White

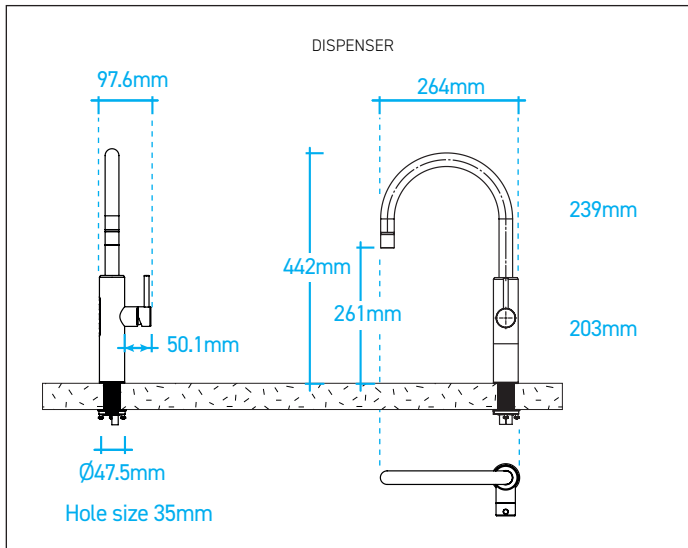
Special Order Finishes

RG - Rose Gold	BRG - Brushed Rose Gold
GM - Gun Metal Grey	UB - Urban Brass

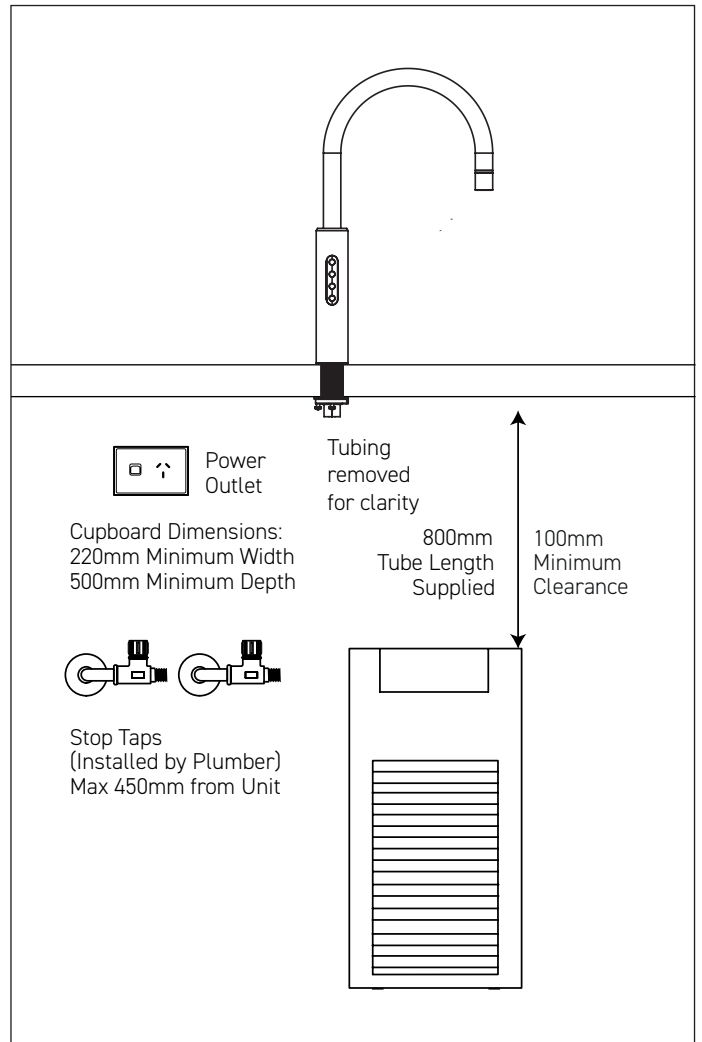
Add the relevant Finishes Code to the Product SKU to finalise your specification eg 915000GMB

TECHNICAL DRAWING & INSTALLATION REQUIREMENTS

PRODUCT DIMENSIONS



PREFERRED INSTALLATION LAYOUT



WATER SUPPLY

Domestic Cold and Hot mains supply is required via separate 1/2" BSP (15mm) stop-taps with male threads. These should be pre-installed in an easily accessible position. Water supply must be microbiologically safe to drink, with a minimum dynamic water pressure of 250kPa and a maximum of 1000kPa.

POWER SUPPLY

A standard 10 amp power outlet is required, no further than 1000mm from the underbench unit. The system is supplied with a 1 metre flex cord and plug.

WARRANTY

The Billi Home Range is covered by a comprehensive 2 year warranty on all parts and labour.

FILTRATION

Billi's range of premium filters utilise BWT's unique Fibron X technology. Billi's filter range provides superior taste, water quality, consistent filter life and peace of mind when it comes to hygiene.

Filter supplied: 994052 (0.2 micron). Replacement filters available: 994051 (5 micron option), 994054 (HSD option), 994056 (Sediment only) and 994060 (0.2 micron Sediment Only).

CERTIFICATIONS

Every Billi drinking water appliance is manufactured under a certified quality control system. All Billi commercial range models have been tested and comply with all required standards including: Watermark: WM-021525; Certified to AS/NZ3498 and AS/NZ 4020; ISO 9001:2015, QEC 11627; Section J6.6 of the BCA; HACCP: PE-872-WAT-1-02; WELL Cornerstone Member; WELS 5 Star Rating: WM-021914.

Billi®



Billi Australia Pty Ltd

P 1800 812 321
W www.billi.com.au

Billi New Zealand Ltd

P 0800 636 0 636
W www.billi.co.nz

visit us at

