

# COMMERCIAL DATA SHEET

## Sahara 360 Safety



### Billi Sahara 360 with Safety Dispenser

The Sahara 360 Boiling and Still drinking water system is a mid-range to large commercial capacity system, but still maintains Billi's core design principles of space saving while requiring no joinery ventilation.

Offering both boiling water and a bottomless supply of filtered ambient temperature water, the Sahara range is convenient and functional.

The globally distributed Safety Dispenser was designed in consultation with industry experts and is regarded as the best fit-for-purpose solution currently available in Australia.

Ideal for high security or critical care environments, including correctional facilities and mental health care units.



**BOILING** **STILL**



Safety Dispenser

Sahara Under-Bench Unit



### Features

- SPACE SAVING DESIGN
- SAFE TO OPERATE
- SPLASHFREE DELIVERY
- ENERGY EFFICIENT
- NO CUPBOARD VENTILATION REQUIRED
- ECO-INTELLIGENCE TECHNOLOGY
- AUSTRALIAN DESIGNED & MADE
- HACCP CERTIFIED
- EASY INSTALLATION

## PRODUCT SPECIFICATIONS

Water type	Product code	Model name	Dispenser	Suggested no. of people	Boiling water delivery (cups per hour)*	Still water delivery (cups per hour)	Power supply (amps)
 <b>BOILING</b> <b>STILL</b>	943060V	Sahara 360	Safety	Up to 60	Up to 165	Unlimited	10

\* Based on a set volume of water being drawn every 30 seconds at an inlet temperature of average temperature 21°C. Each cup is equivalent to 170ml. Usage patterns and draw-off methods can impact recovery.

### Accessories

**990718CH** - QL Font for Safety dispenser

**990720** - Tubing Extension Kit for X series dual temp dispensers 2mtrs



### Finishes

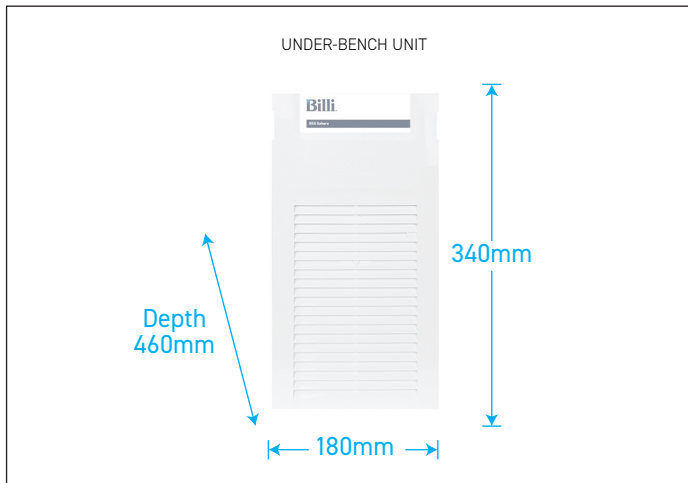
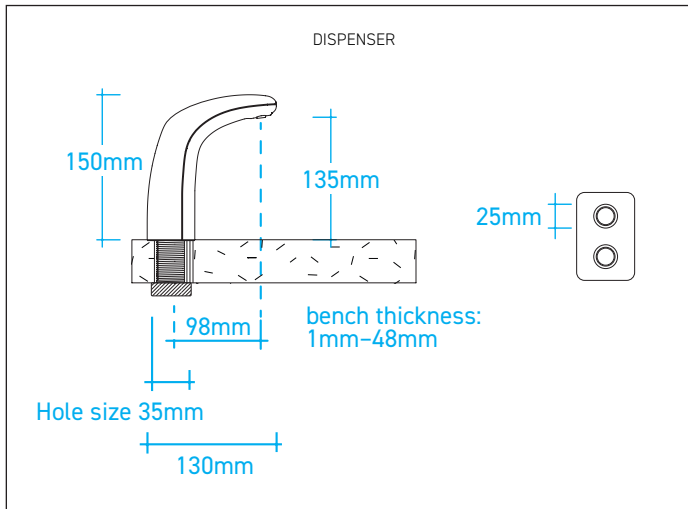
Standard Finish

CH - Chrome

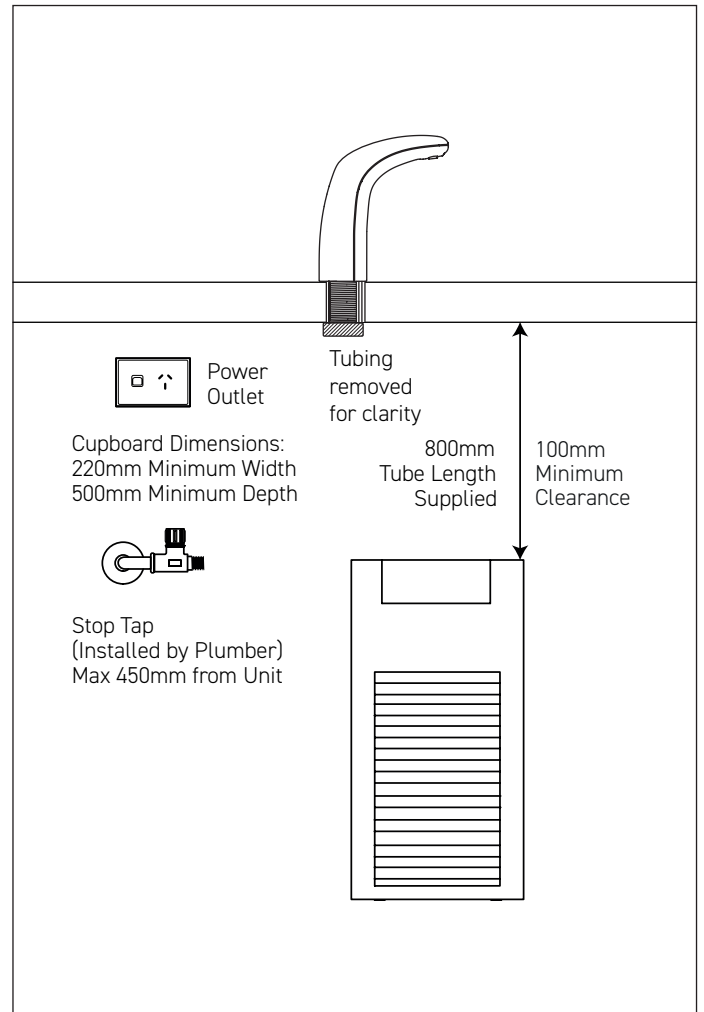
Add the Finish code to the Product Code to finalise your specification, eg. 943060VCH

# TECHNICAL DRAWING & INSTALLATION REQUIREMENTS

## PRODUCT DIMENSIONS



## PREFERRED INSTALLATION LAYOUT



### WATER SUPPLY

A single 1/2" BSP (15mm) stop-tap with a male thread should be installed in an easily accessible position. Water supply must be microbiologically safe to drink, with a minimum dynamic water pressure of 250kPa and a maximum of 1000kPa.

### POWER SUPPLY

A standard 10 amp power outlet is required, no further than 1000mm from the underbench unit. The system is supplied with a 1 metre flex cord and plug.

### FILTRATION

Billi's range of premium filters utilise BWT's unique Fibron X technology. Billi's filter range provides superior taste, water quality, consistent filter life and peace of mind when it comes to hygiene.

Filter supplied: 994051 (5 micron). Replacement filters available: 994052 (0.2 micron), 994054 (HSD), 994055 (XPHSD), 994056 (Sediment only) and 994060 (0.2 micron sediment only).

### CERTIFICATIONS

Every Billi drinking water appliance is manufactured under a certified quality control system. All Billi commercial range models have been tested and comply with all required standards including: Watermark: WM-021525; Certified to AS/NZ3498 and AS/NZ 4020; ISO9001:2015, QEC 11627; Section J6.6 of the BCA; HACCP: PE-872-WAT-1-02; AS1428 DDA Compliant; WELL Cornerstone Member.

### WARRANTY

The Billi Sahara Range is covered by a comprehensive 2 year warranty on all parts and labour.

# Billi®



Billi Australia Pty Ltd

P 1800 812 321  
W www.billi.com.au

Billi New Zealand Ltd T/As Merquip

P 0800 636 0 636  
W www.merquip.co.nz

visit us at

